

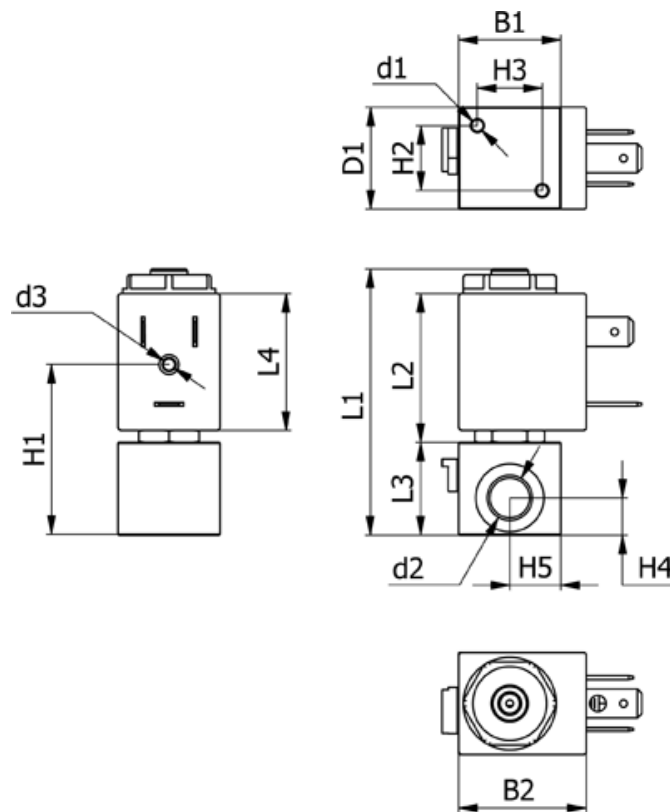
Data Sheet



Article number: 588N2A610CB0471

Description: Solenoid valve type N2A610.CB0.471 2/2 NC
24 VDC orifice 1,0 housing in Brass Inlet port M5

Measures



| | | |
|------------|-----------|-------------------------|
| B1 = 22 | H2 = 14 | Orifice = 1.0 |
| B2 = 31.1 | H3 = 14 | Valve function = 2/2 NC |
| d1 = M3x6 | H4 = 6 | Voltage = 24 VDC |
| D1 = 22 | H5 = 11 | |
| d2 = M5 | L1 = 52.2 | |
| d3 = M3x4 | L2 = 32.1 | |
| Flow = 0.5 | L3 = 16 | |
| H1 = 32.6 | L4 = 29.5 | |